

MANSON CULTURE

* WE TAKE CARE OF PEOPLE FIRST AND ALWAYS

* WE TAKE CARE OF OUR EQUIPMENT

* WE DO GOOD WORK

* WE STRIVE TO MEET BUDGET AND SCHEDULE REQUIREMENTS



M. E. C.

M. – Munitions of

E. – Explosive

C. - Concern

MEC Dredging History

- **Channel Dredging**

- Not typically much of a concern – isolated cases
- Handled as individual events

- **Beach Nourishment**

- Borrow Areas come into play
- Many Areas had been previously utilized as Anchorages
- Some located in areas of Firing Ranges
- Munitions may also have been dumped from vessels returning from war

MUNITIONS



Why not on the Beach?



DISASTER !!!!



DRAGHEAD/CUTTER SCREENS



EFFECTIVENESS



DISCHARGE BASKETS



DISCHARGE OPERATIONS



DISCHARGE OPERATIONS

CHALLENGES



CHALLENGES



CLOGGING

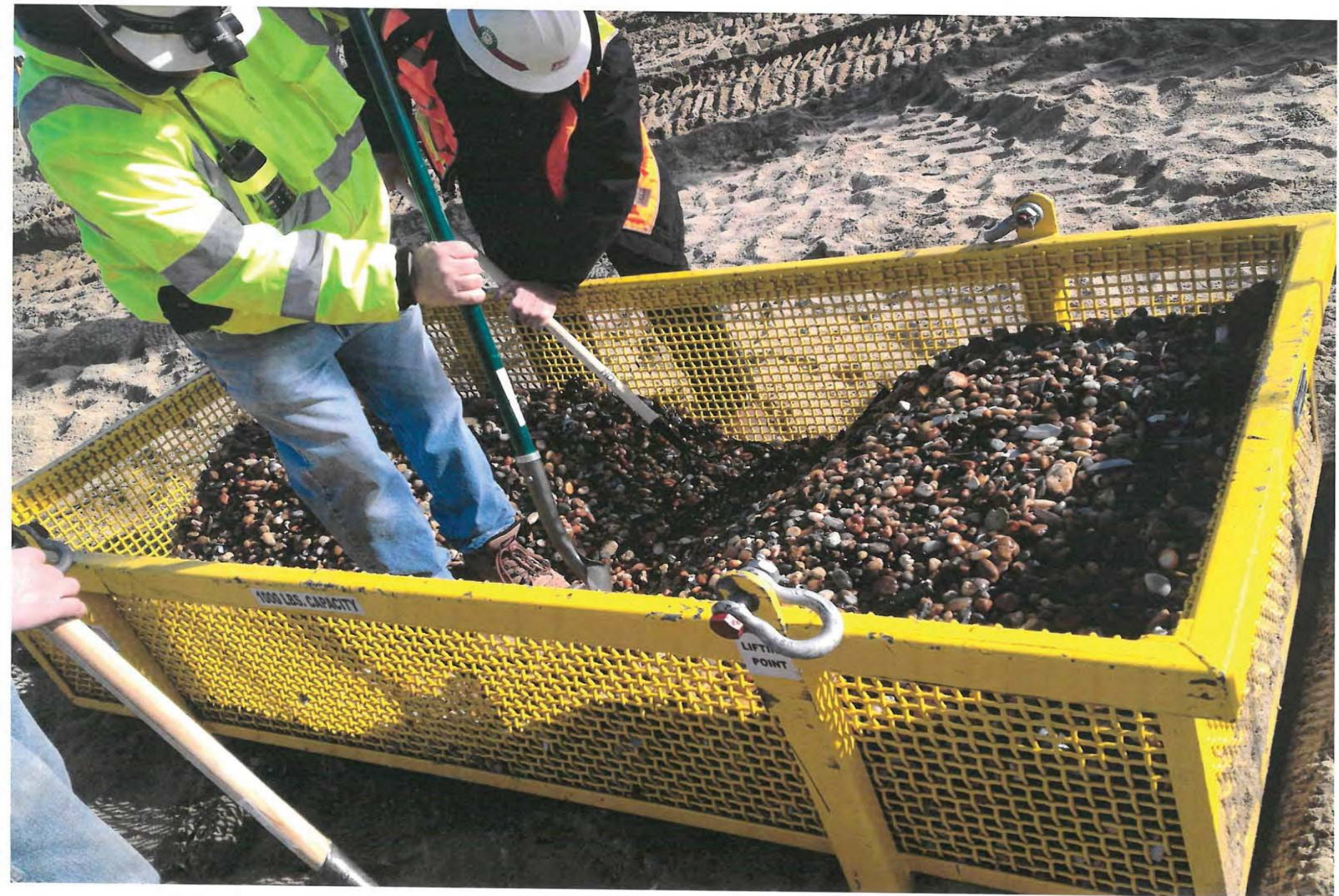


12 04 2013

CLOGGING



CLEAN OUT



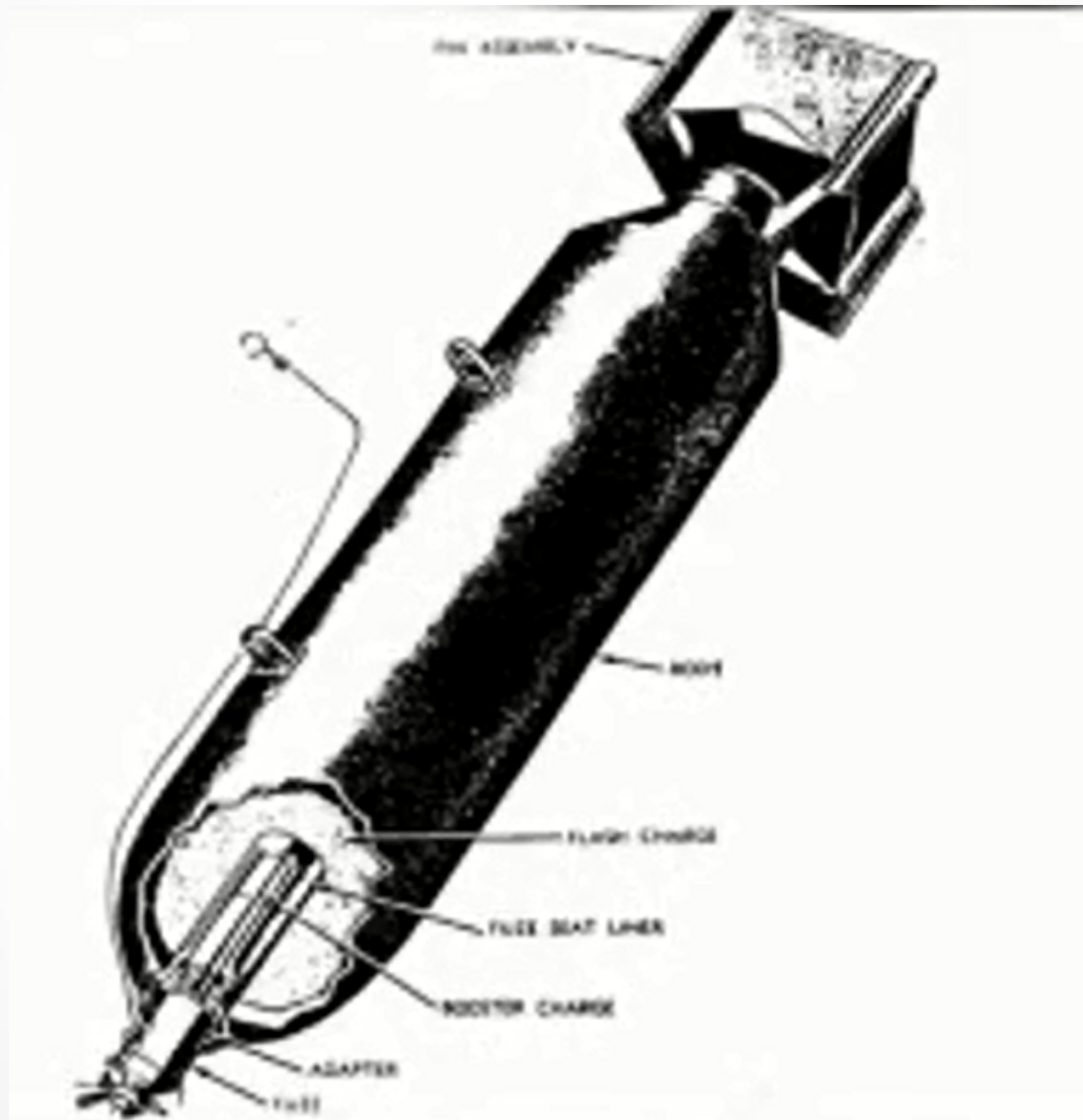
EFFECTIVENESS



EFFECTIVENESS



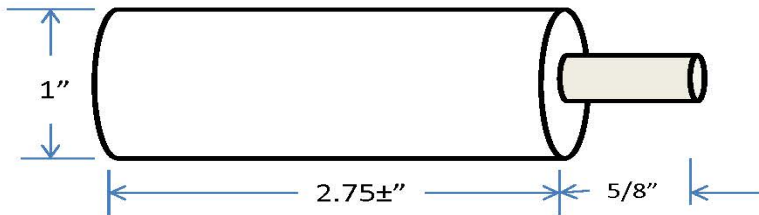
NEW CHALLENGE



BOOSTERS / FUSES

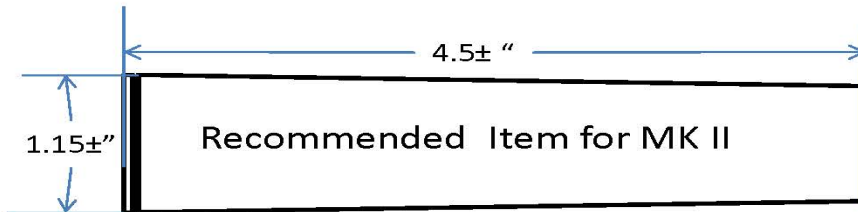
Two of the MEC items at Deal Beach

MK II Booster



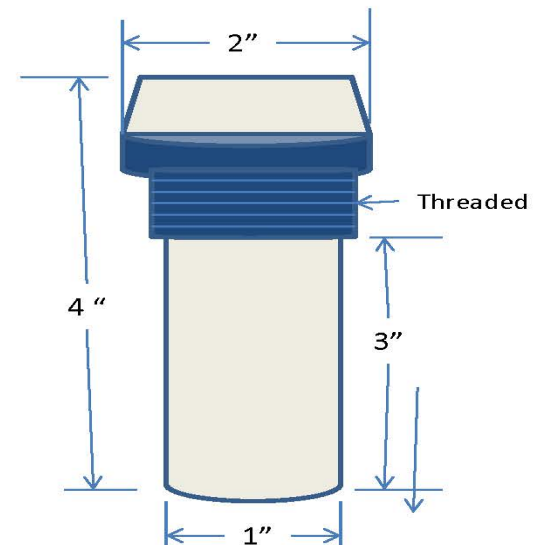
1. Empty weight: 1 OZ
2. Full Weight: 3 OZ
3. Outside material: Brass

20 MM Cartridge case



1. Empty Weight: App 2.80 OZ ±

MK III Fuze Adapter w/booster



1. Full Weight: 9 OZ
2. Outside material: Steel

BOOSTER / FUSES



GOING FORWARD



Providing Shore Protection



QUESTIONS?

