



WEDA 34 TAMU 45



Beach Restoration of Coastal Town to Increase Tourism

Presented by:

A. H. Diaz-Núñez

Geomembranas y Geosintéticos SA de CV, Mexico, D.F.

Coauthors –

A. Arriaga-Noguez,

Geomembranas y Geosintéticos SA de CV. Mexico, D.F.

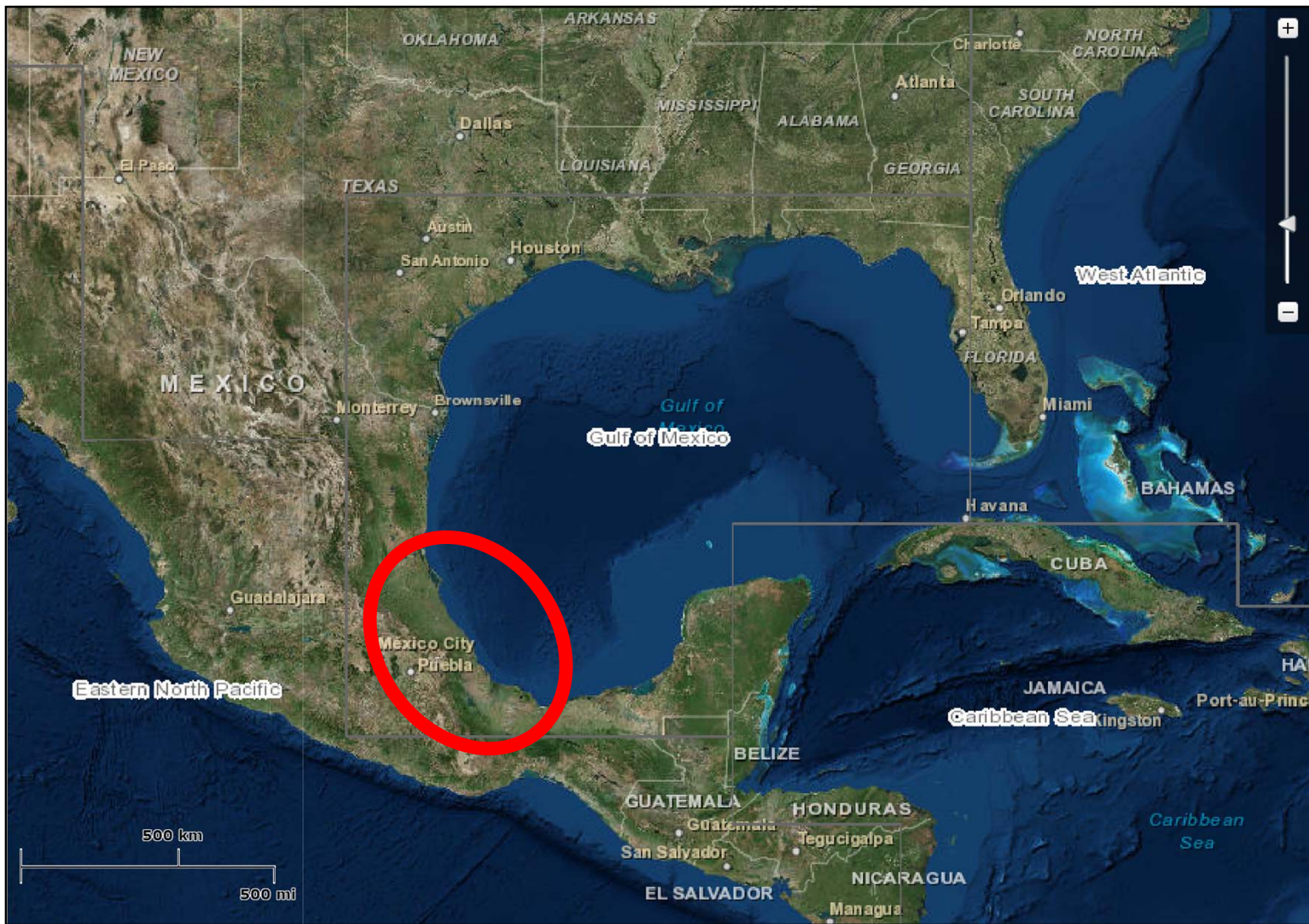
E. Trainer

TenCate Geosynthetics. Pendergrass, Georgia.

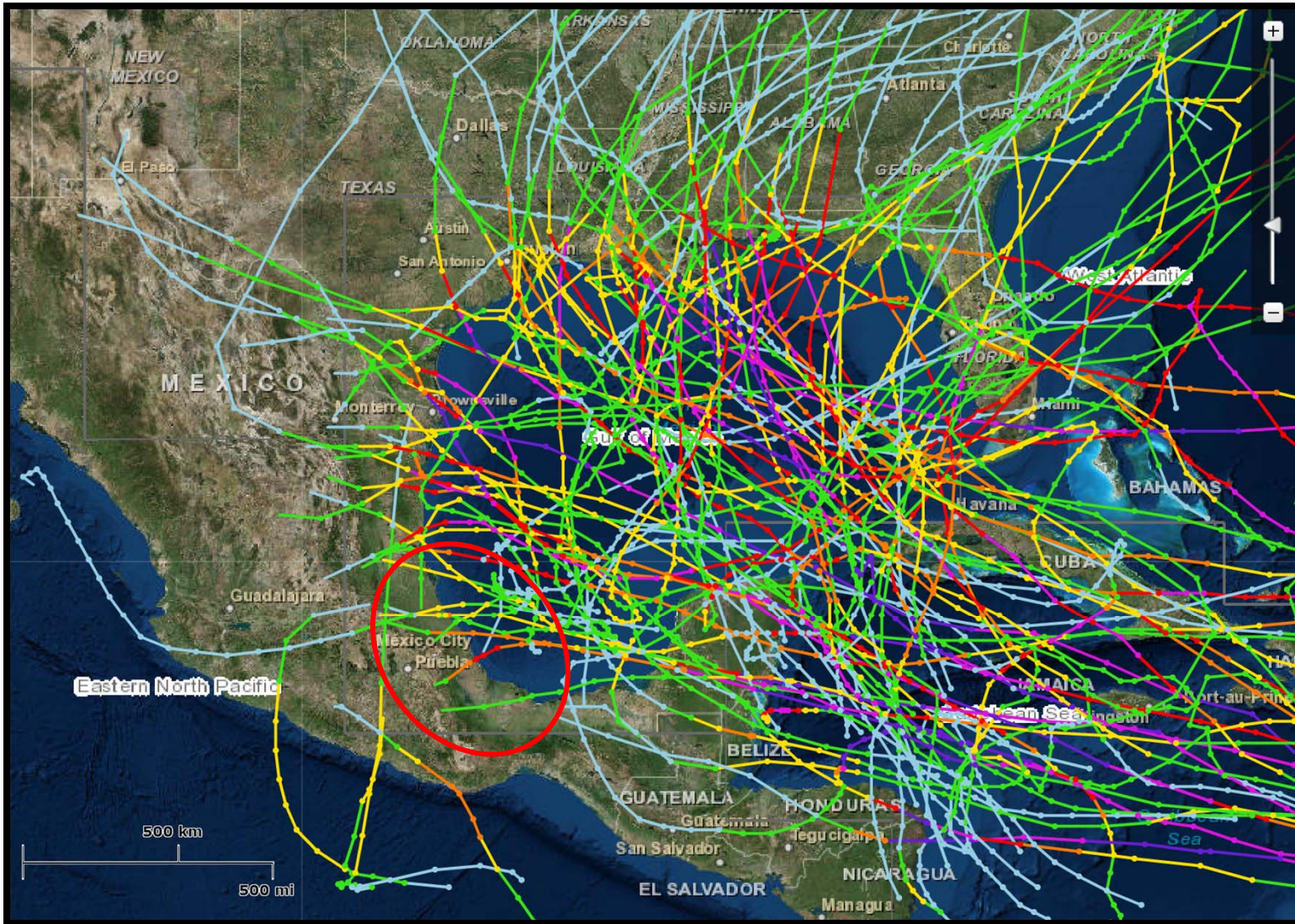




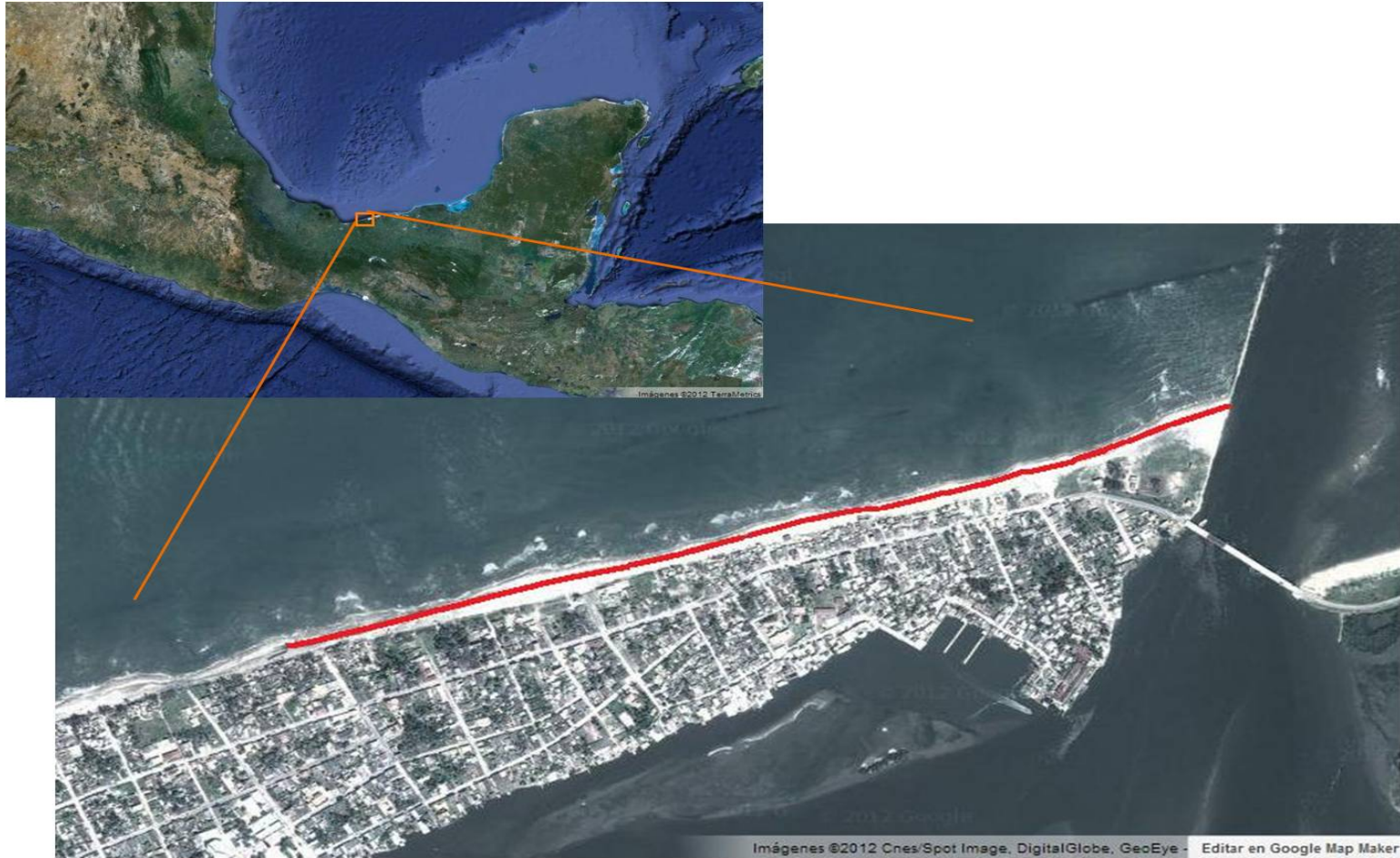
Beach Restoration of Coastal Town to Increase Tourism



Beach Restoration of Coastal Town to Increase Tourism



Beach Restoration of Coastal Town to Increase Tourism



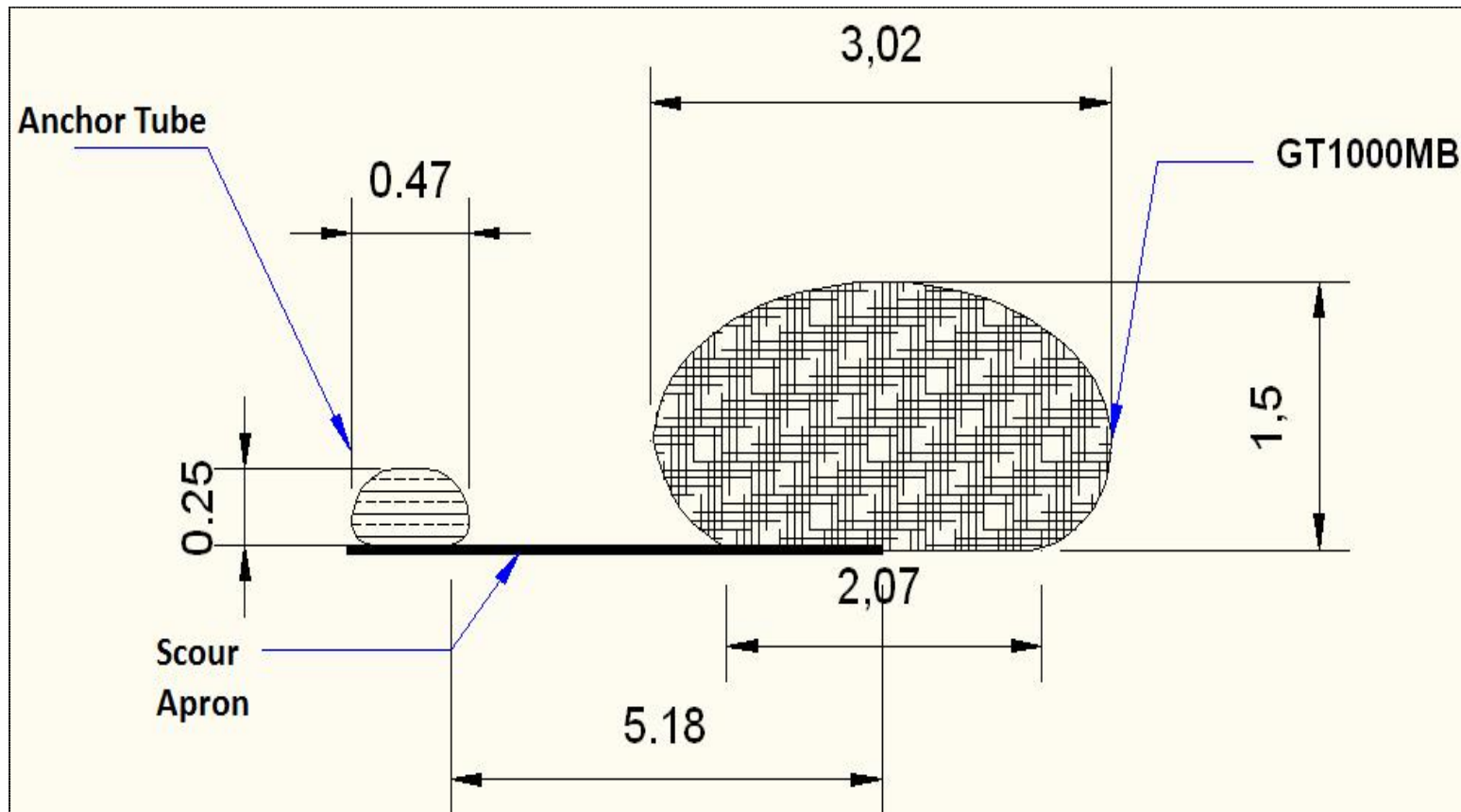
Beach Restoration of Coastal Town to Increase Tourism



Beach Restoration of Coastal Town to Increase Tourism



2008 Test Section Design



2008 Test Section



Beach Restoration of Coastal Town to Increase Tourism

2008 Geotube® Test Section



Beach Restoration of Coastal Town to Increase Tourism

2010 Tropical Storm Beach and Sand Dune Erosion



Beach Restoration of Coastal Town to Increase Tourism

2010 Tropical Storm Damage

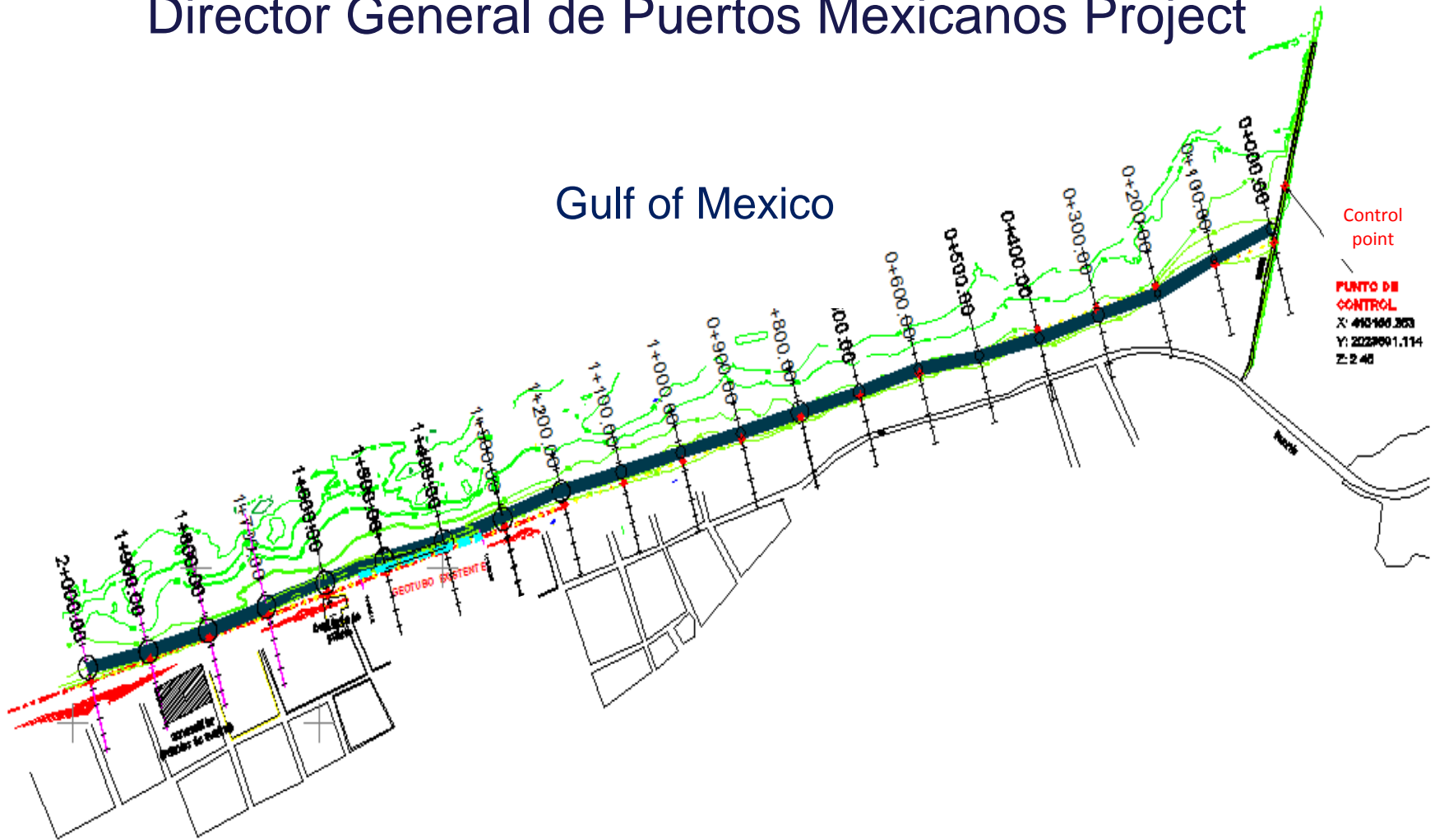


ZONE FROM THE MARINE PORT ADMINISTRATION TO THE NAVY POST

Beach Restoration of Coastal Town to Increase Tourism

2011 SCT Director General de Puertos Mexicanos Project

Gulf of Mexico



Beach Restoration of Coastal Town to Increase Tourism

2011

Fast Track Project

- Demolition, Clearing, and Leveling
- Geotube® Installation
- Dredging to backfill the void between the Geotube® units and the sand dune.



Project Construction



Beach Restoration of Coastal Town to Increase Tourism



Beach Restoration of Coastal Town to Increase Tourism

PROJECT Progress



Beach Restoration of Coastal Town to Increase Tourism

90% Complete



Beach Restoration of Coastal Town to Increase Tourism

August 2012 Hurricane Ernesto



Beach Restoration of Coastal Town to Increase Tourism

2013

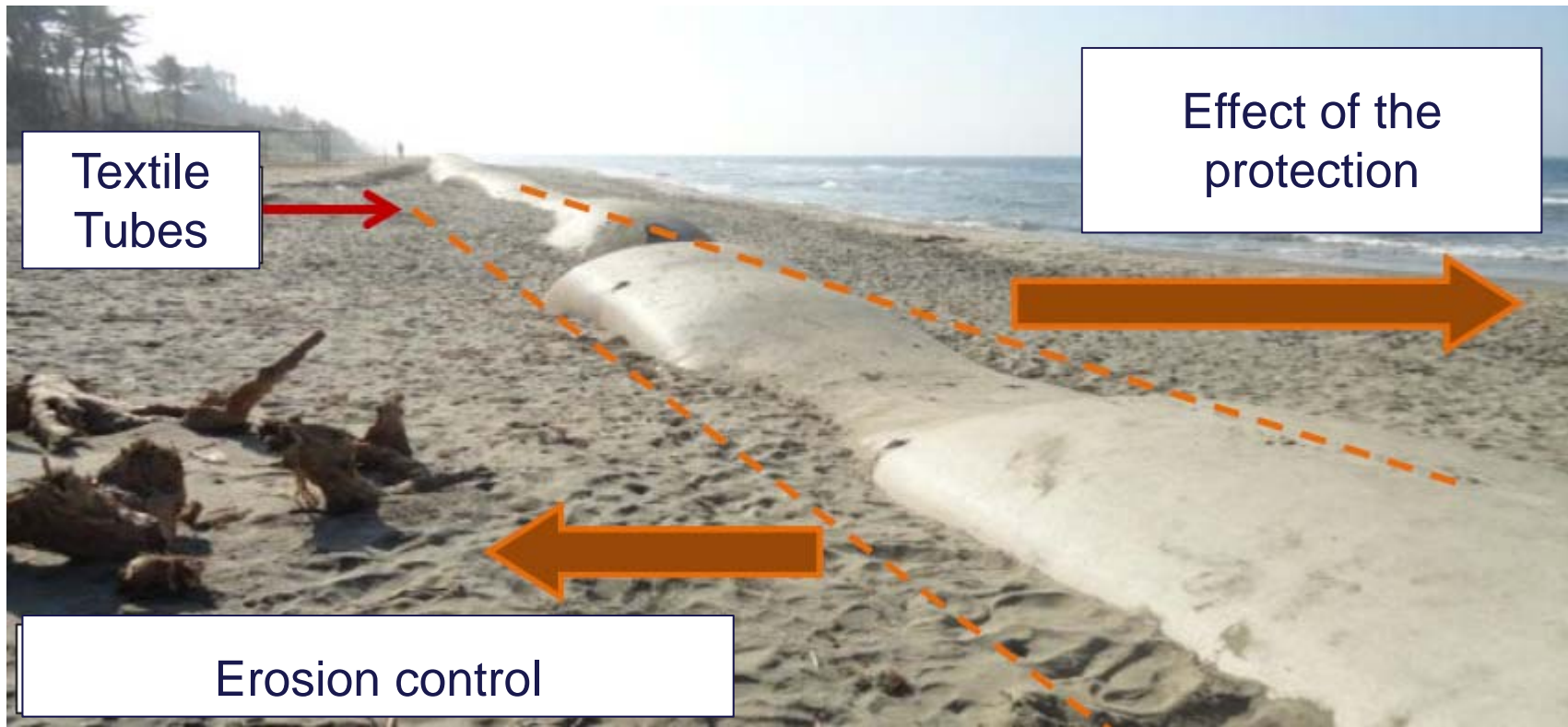


Beach Restoration of Coastal Town to Increase Tourism

2013



Beach Restoration of Coastal Town to Increase Tourism





Conclusion

- Geotube® Shoreline Protection Structure withstood direct hit by a Class 3 Hurricane without serious damage
- Structures sustained only wind damage
- Beach and Sand Dunes left intact with minimal erosion



2014



Questions are welcome.

Thank you for your interest.

A. H. Diaz-Núñez
Geomembranas y Geosintéticos SA de CV, Mexico, D.F.

ahdiaz@geoygeo.com.mx



G&G

Soluciones con tecnología de punta





April 1-4
2013
Long Beach, CA



Project Scope & Equipment

Project includes the installation of 2,304 linear meters (7,560 linear feet) of 7.6 meter (25 feet) circumference geotextile tubes.

For scour protection, 2,304 linear meter (7,560 linear feet) of a 5.18 meter (35-feet) wide scour apron was used. The apron was attached to the bottom center line of the tube.

All fill material for the tubes and anchor tubes was pumped from surrounding area.

Equipment used for the installation: 8-inch suction dredge, (2) amphibious track hoes, (1) work/storage barge, (1) crew boat.



2014



THE INSTALLATION PROJECT



END OF THE PROJECT BETWEEN “LOS PINOS” AND “EL BAÑIARIO”

Beach Restoration of Coastal Town to Increase Tourism



2014



Beach Restoration of Coastal Town to Increase Tourism



2014



Beach Restoration of Coastal Town to Increase Tourism



Geosynthetic

April 1-4
2013
Long Beach, CA





Geosynthetic

April 1-4
2013
Long Beach, CA



Geosynthetics

April 1-4
2013
Long Beach, CA



Geosynthetics

April 1-4
2013
Long Beach, CA





Geosynthetic

April 1-4
2013
Long Beach, CA



Geosynthetics

April 1-4
2013
Long Beach, CA





Geosynthetic

April 1-4
2013
Long Beach, CA

